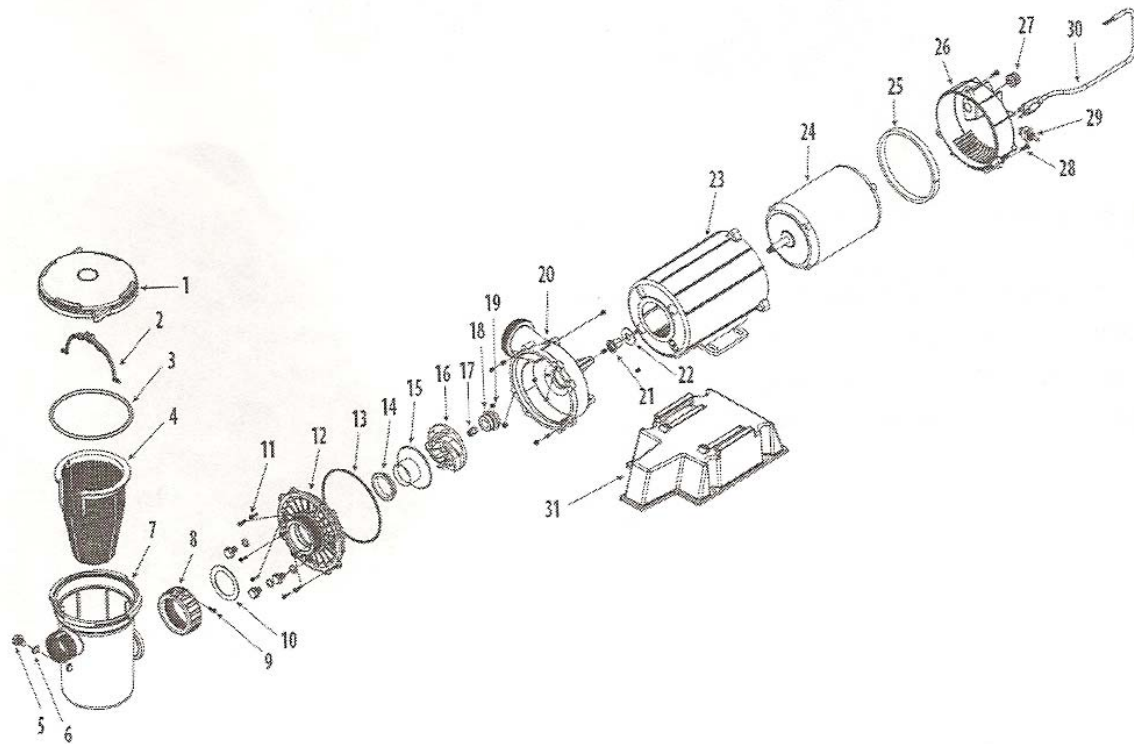


## WATERWAYS – HIGH-FLO



### HIGH-FLO PUMP

Item No.	Part No.	Description
1	319-3260	6" Trap Lid, Self Locking
2	519-3070	Basket handle
3	805-0436	Trap Lid O-Ring
4	319-3210	6" Trap Basket
5	715-1201	3/8" Quarter Slot Plug (2 Required)
6	805-0112	Drain plug O-Ring (2 Required)
7	319-2170	6" Trap Body – 1 1/2"FTP/1:5: Buttress x 2.0" Union Flange
8	415-5201	2" Heater Split Nut x 2 5/16" Gate Flange
9	19-4350	Screw (2 Required)

10	711-4010	2" Union Gasket
11	819-1110	Screws (8 Required)
12	311-2140	Side Discharge Faceplate
13	805-0256	Faceplate O-Ring
14	319-1390	Wear Ring
	310-3990	¾ HP Impeller "B" Assembly
	310-4000	1 HP Impeller "C" Assembly
	310-4010	1 ½ HP Impeller "D" Assembly
	310-4030	2 HP Impeller Assembly
17	820-4150	Coupling Nut-Impeller
18	PSR-1000	Pump Seal Kit – 5/8 metal Cup
19	820-4110	Insert (12 Required)
20	315-2500	Side Discharge Volute with Inserts
21	319-3520	CSA Slinger
22	319-3530	CSA Washer
23	319-3500	CSA Body Enclosure
25	865-0800	Foam
26	319-3510	CSA Back cover
27	813-0025	Strain Relief
28	819-9002	Screw 93 Required)
29	815-4011	Hi-Flo Toggle Switch
30	741-CGGZ-257R	Nema 25ft Cord
31	672-7261	CSA Pump motor Base Assembly